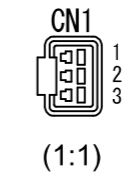
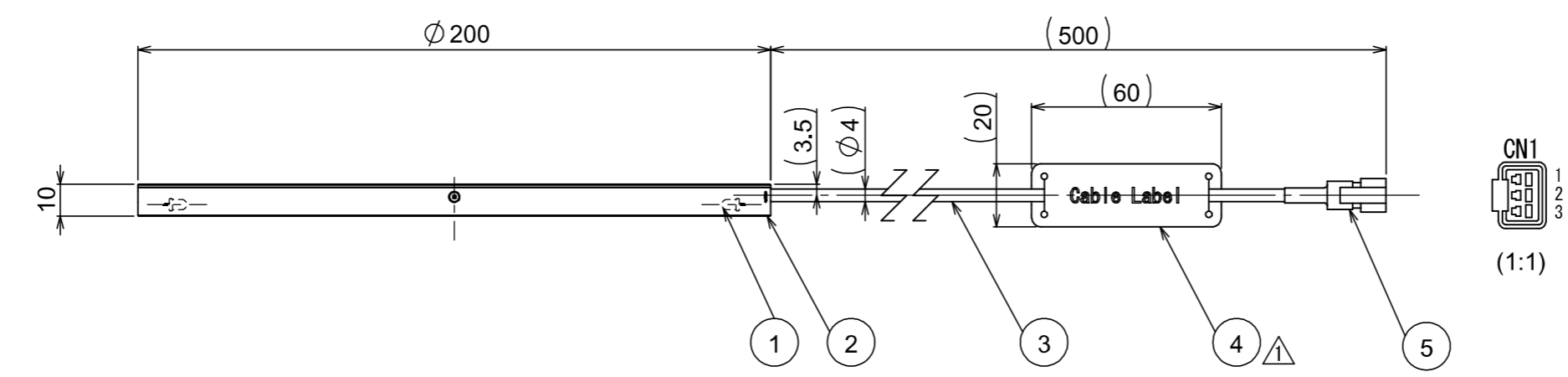
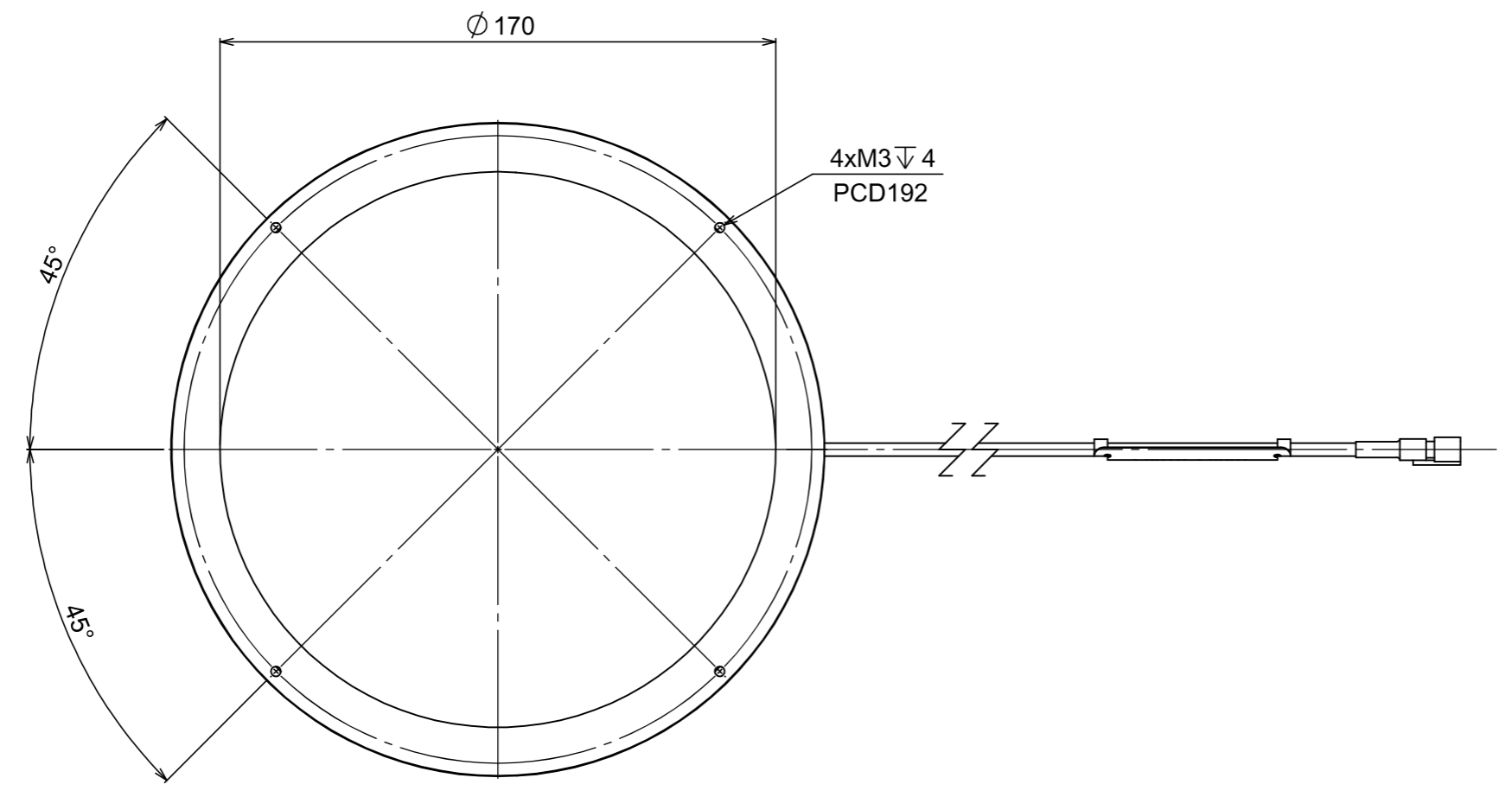


1 2 3 4 5 6 7 8

| | | | | | | | | | | | | | | | |
|-------|---------------------------------|-------------|-------|----------------|-------------|--------------|---------------|----------------|-----------------|----------------------------|-------|--------------------------------|---------------|----------------|-----------------|
| CLASS | LENGTH OF SHORTER SIDE OF ANGLE | | CLASS | NOMINAL LENGTH | | | | | | PERPENDICULARITY TOLERANCE | CLASS | NOMINAL LENGTH ON SHORTER SIDE | | | |
| | L ≤ 10 | 10 < L ≤ 40 | | L ≤ 10 | 10 < L ≤ 30 | 30 < L ≤ 100 | 100 < L ≤ 300 | 300 < L ≤ 1000 | 1000 < L ≤ 3000 | | | L ≤ 100 | 100 < L ≤ 300 | 300 < L ≤ 1000 | 1000 < L ≤ 3000 |
| H | ±0.02 | ±0.05 | H | ±0.2 | ±0.3 | ±0.4 | ±0.5 | | H | ±0.2 | ±0.3 | ±0.4 | ±0.5 | | |
| K | ±0.05 | ±0.1 | K | ±0.4 | ±0.6 | ±0.8 | ±1.0 | | K | ±0.4 | ±0.6 | ±0.8 | ±1.0 | | |

| | |
|-----------------------------|------------------|
| Absolute Max. Rating / 最大定格 | DC24V |
| Total Power / 消費電力合計 | 5.7W \triangle |
| Mass / 質量 | 150g \triangle |

| CN1 | Assign / 信号 |
|-----|-------------|
| 1 | +V |
| 2 | NC |
| 3 | -V |



| | | | | | |
|-------|--------------------------|-------------|-------|--------------------------|-------------|
| CLASS | STANDARD DIMENSION RANGE | | CLASS | STANDARD DIMENSION RANGE | |
| | L < 0.2 | 0.2 ≤ L ≤ 6 | | L < 0.2 | 0.2 ≤ L ≤ 6 |
| f | ±0.05 | ±0.1 | f | ±0.2 | ±1.0 |
| m | ±0.1 | ±0.2 | m | ±0.5 | ±1.0 |

| | | | | | | | | |
|----------------|--------------|-----------------|--------------------------|-----------------|----------|--------|-------------|----------------------|
| \triangle x | | | | | | FINISH | UNIT:mm | A Cognex Company |
| \triangle x | | | | | | - | | |
| \triangle x2 | A-003 | 2026.Apr.08 | Change Power, Add Mass | Tatsu | SURFACE | | MODEL NAME | CV-RLA-200X170-00R |
| \triangle x2 | A-002 | 2024.Oct.17 | Change of components etc | Okazaki | | | PART NAME | OUTLINE DRAWING |
| \triangle | A-001 | 2020.Mar.13 | NEW | - | MATERIAL | | DRAWING NO. | A21799A0100201A-003 |
| MARK | COM-REV | DATE(YMD) | CHANGE | SIGNATURE | | | SHEET | 1/1 |
| DESIGNED | DRAWN | CHECKED | APPROVED | CHAMFER | | | | |
| xainghui liu | xainghui liu | '26.04.13 秋元 | '26.04.13 達 | TOLERANCE CLASS | | | | |
| | | | | SCALE | 1:2 | | | |

| NO. | PART DESCRIPTION | MODEL NUMBER | QU. | NOTE |
|-----|-------------------------|--------------|-----|------------------------------------------------------|
| 6 | | | | |
| 5 | CONNECTOR | SMR-03V-B | 1 | JST / Paired Connector:SMP-03V-BC |
| 4 | CABLE LABEL \triangle | | 1 | |
| 3 | CABLE | | 1 | |
| 2 | HOUSING | | 1 | Aluminium Alloy / Glass Bead Blasted Black Anodizing |
| 1 | LED(REDF) | | 132 | |

OLD DRAWING NO. 2 3 4 5 6 7 8