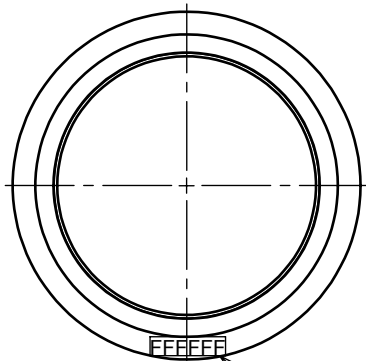
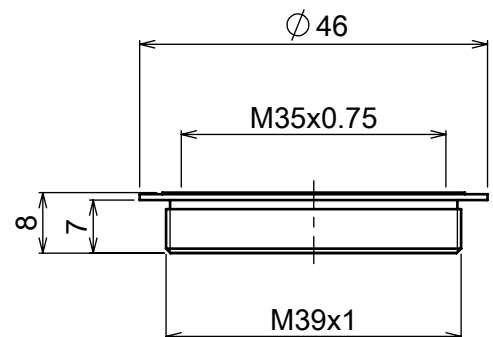


A	CLASS	NOMINAL LENGTH						PERPENDICULARITY TOLERANCE	NOMINAL LENGTH ON SHORTER SIDE				A
		L ≤ 10	10 < L ≤ 30	30 < L ≤ 100	100 < L ≤ 300	300 < L ≤ 1000	1000 < L ≤ 3000		L ≤ 100	100 < L ≤ 300	300 < L ≤ 1000	1000 < L ≤ 3000	
B	ANGLE TOLERANCE	STRAIGHTNESS & FLATNESS TOLERANCE						CLASS	NOMINAL LENGTH ON SHORTER SIDE				B
		L ≤ 10	10 < L ≤ 30	30 < L ≤ 100	100 < L ≤ 300	300 < L ≤ 1000	1000 < L ≤ 3000		L ≤ 100	100 < L ≤ 300	300 < L ≤ 1000	1000 < L ≤ 3000	
C	STANDARD DIMENSION RANGE	ORIGINAL SHEET FORMAT SIZE: A4						CLASS	NOMINAL LENGTH ON SHORTER SIDE				C
		L ≤ 10	10 < L ≤ 30	30 < L ≤ 100	100 < L ≤ 300	300 < L ≤ 1000	1000 < L ≤ 3000		L ≤ 100	100 < L ≤ 300	300 < L ≤ 1000	1000 < L ≤ 3000	
D	CHAMFER TOLERANCE	S/N LABEL シリアルラベル						CLASS	NOMINAL LENGTH ON SHORTER SIDE				D
		L ≤ 10	10 < L ≤ 30	30 < L ≤ 100	100 < L ≤ 300	300 < L ≤ 1000	1000 < L ≤ 3000		L ≤ 100	100 < L ≤ 300	300 < L ≤ 1000	1000 < L ≤ 3000	
E	STANDARD DIMENSION RANGE	S/N LABEL シリアルラベル						CLASS	NOMINAL LENGTH ON SHORTER SIDE				E
		L ≤ 10	10 < L ≤ 30	30 < L ≤ 100	100 < L ≤ 300	300 < L ≤ 1000	1000 < L ≤ 3000		L ≤ 100	100 < L ≤ 300	300 < L ≤ 1000	1000 < L ≤ 3000	
F	LENGTH TOLERANCE	S/N LABEL シリアルラベル						CLASS	NOMINAL LENGTH ON SHORTER SIDE				F
		L ≤ 10	10 < L ≤ 30	30 < L ≤ 100	100 < L ≤ 300	300 < L ≤ 1000	1000 < L ≤ 3000		L ≤ 100	100 < L ≤ 300	300 < L ≤ 1000	1000 < L ≤ 3000	



S/N LABEL  
シリアルラベル



CLASS	STANDARD DIMENSION RANGE			FINISH	UNIT:mm	MORITEX Vision Creating Value
	L < 0.2	0.2 ≤ L ≤ 6	6 < L ≤ 30	BLACK ANODIZING		
CLASS	STANDARD DIMENSION RANGE			SURFACE	MODEL NAME	ML-EXR-M35M39
	L < 0.2	0.2 ≤ L ≤ 6	6 < L ≤ 30	-		
CLASS	STANDARD DIMENSION RANGE			MATERIAL	PART NAME	OUTLINE DRAWING
	L < 0.2	0.2 ≤ L ≤ 6	6 < L ≤ 30	ALUMINUM ALLOY		
CLASS	STANDARD DIMENSION RANGE			CHAMFER	DRAWING NO.	A23324A0100101A-001
	L < 0.2	0.2 ≤ L ≤ 6	6 < L ≤ 30	-		
CLASS	STANDARD DIMENSION RANGE			TOLERANCE CLASS	SCALE	1:1
	L < 0.2	0.2 ≤ L ≤ 6	6 < L ≤ 30	-		
CLASS	STANDARD DIMENSION RANGE			SCALE	SHEET	1/1
	L < 0.2	0.2 ≤ L ≤ 6	6 < L ≤ 30			

MARK	COM-REV	DATE(YMD)	CHANGE	SIGNATURE	DESIGNED	DRAWN	CHECKED	APPROVED
		2018.Aug.11	NEW		WOLF	WOLF	kevin	

OLD DRAWING NO.

2

3

4