

CLASS		NOMINAL LENGTH						PERPENDICULARITY TOLERANCE		CLASS				NOMINAL LENGTH ON SHORTER SIDE			
		L ≤ 10	10 < L ≤ 30	30 < L ≤ 100	100 < L ≤ 300	300 < L ≤ 1000	1000 < L ≤ 3000					L ≤ 100	100 < L ≤ 300	300 < L ≤ 1000	1000 < L ≤ 3000		
H		±0.02	±0.05	±0.1	±0.2	±0.3	±0.4	H		±0.2		±0.3	±0.4	±0.5			
K		±0.05	±0.1	±0.2	±0.4	±0.6	±0.8	K		±0.4		±0.6	±0.8	±1.0			

CLASS	LENGTH OF SHORTER SIDE OF ANGLE			
	L ≤ 10	10 < L ≤ 50	50 < L ≤ 120	120 < L ≤ 400
f	±1°	±30' (+0.5°)	±20' (+0.333°)	±10' (+0.166°)
m				±5' (+0.083°)

ANGLE TOLERANCE

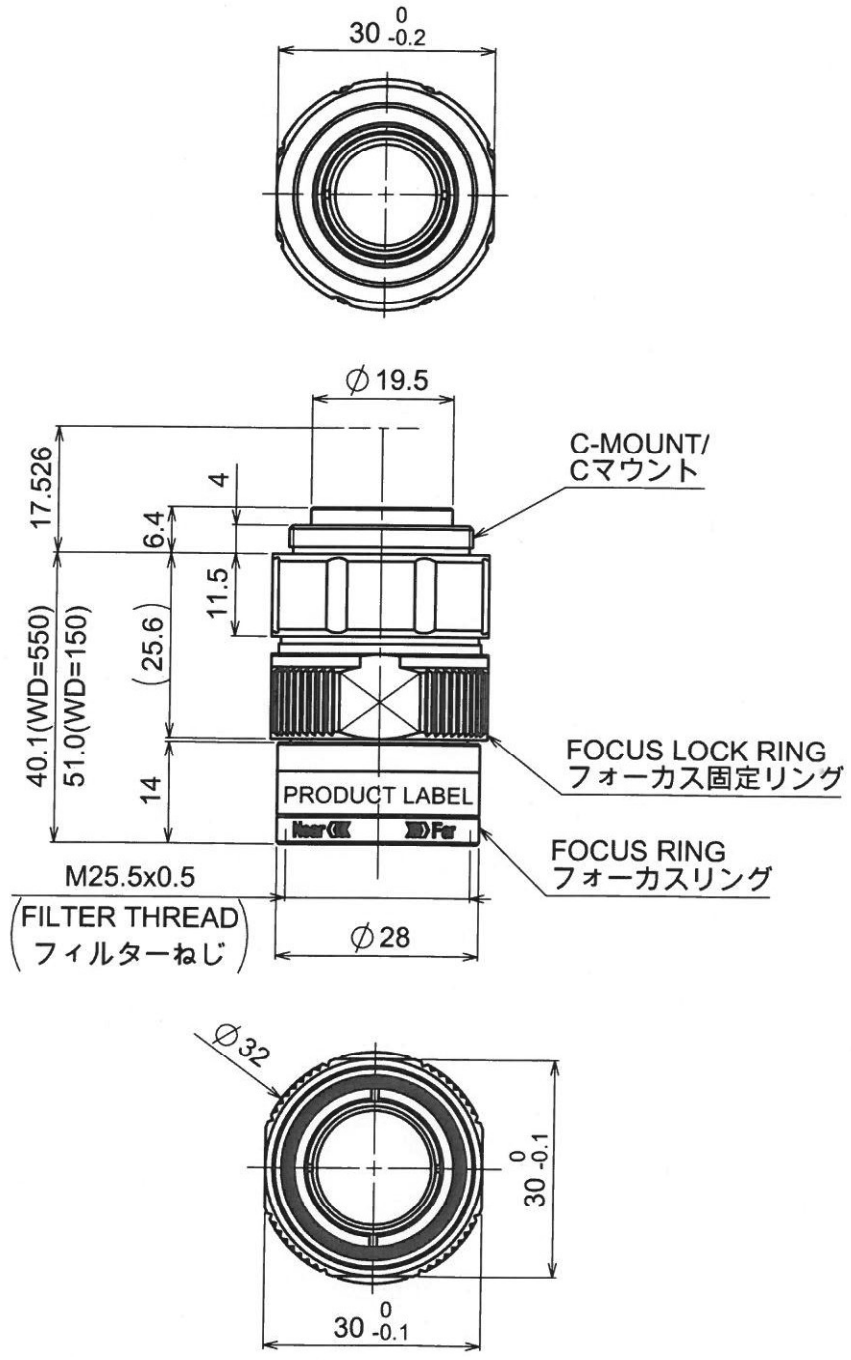
ORIGINAL SHEET FORMAT SIZE : A4

CLASS	STANDARD DIMENSION RANGE			
	L < 0.2	0.2 ≤ L ≤ 0.5	0.5 < L ≤ 3	3 < L ≤ 6
f	±0.1	±0.2	±0.5	±1.0
m				

CHAMFER TOLERANCE	
f	
m	

CLASS	STANDARD DIMENSION RANGE			
	L < 0.2	0.2 ≤ L ≤ 0.6	0.6 < L ≤ 30	30 < L ≤ 400
f	±0.1	±0.2	±0.5	±0.8
m				

CLASS	DESIGNED	DRAWN	CHECKED	APPROVED
	Xianghui Liu	Xianghui Liu	草野	李研
LENGTH TOLERANCE				



FOCAL LENGTH / 焦点距離 : 35mm
 MAX APERTURE RATIO/ 最大口径比 : 1 : 4.0

FINISH	BLACK ANODIZING	UNIT:mm	MORITEX Vision Creating Value	
SURFACE		MODEL NAME	ML-MC3540BR-16C-G	
MATERIAL	ALLUMINIUM ALLOY	PART NAME	OUTLINE DRAWING	
CHAMFER		DRAWING NO.	A24377A0100101A-001	SHEET 1/1
TOLERANCE CLASS		SCALE	1:1	

OLD DRAWING NO.