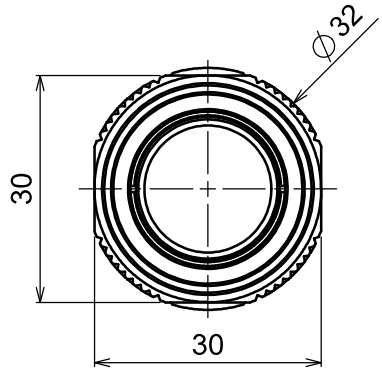
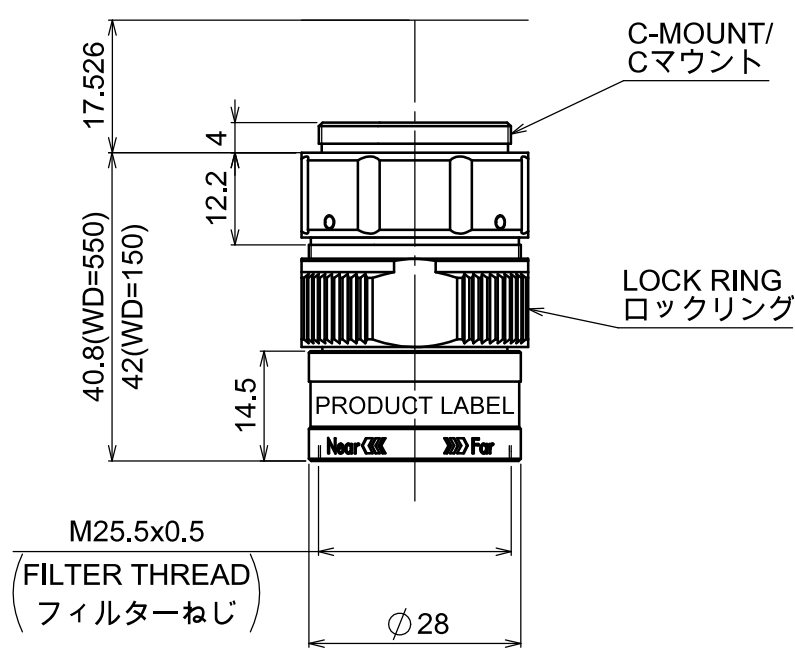


A	CLASS	NOMINAL LENGTH							PERPENDICULARITY TOLERANCE	NOMINAL LENGTH ON SHORTER SIDE			
		L ≤ 10	10 < L ≤ 30	30 < L ≤ 100	100 < L ≤ 300	300 < L ≤ 1000	1000 < L ≤ 3000	L ≤ 100		100 < L ≤ 300	300 < L ≤ 1000	1000 < L ≤ 3000	
B	CLASS	STRAIGHTNESS & FLATNESS TOLERANCE							CLASS	ON SHORTER SIDE			
		L ≤ 10	10 < L ≤ 30	30 < L ≤ 100	100 < L ≤ 300	300 < L ≤ 1000	1000 < L ≤ 3000	L ≤ 100		100 < L ≤ 300	300 < L ≤ 1000	1000 < L ≤ 3000	
C	CLASS	LENGTH OF SHORTER SIDE OF ANGLE							CLASS	NOMINAL LENGTH ON SHORTER SIDE			
		L ≤ 10	10 < L ≤ 30	30 < L ≤ 100	100 < L ≤ 300	300 < L ≤ 1000	1000 < L ≤ 3000	L ≤ 100		100 < L ≤ 300	300 < L ≤ 1000	1000 < L ≤ 3000	
D	CLASS	ANGLE TOLERANCE							CLASS	NOMINAL LENGTH ON SHORTER SIDE			
		L ≤ 10	10 < L ≤ 30	30 < L ≤ 100	100 < L ≤ 300	300 < L ≤ 1000	1000 < L ≤ 3000	L ≤ 100		100 < L ≤ 300	300 < L ≤ 1000	1000 < L ≤ 3000	
E	CLASS	STANDARD DIMENSION RANGE							CLASS	NOMINAL LENGTH ON SHORTER SIDE			
		L < 0.2	0.2 ≤ L ≤ 0.5	0.5 < L ≤ 3	3 < L ≤ 6	6 < L ≤ 30	30 < L ≤ 100	100 < L ≤ 300		L ≤ 100	100 < L ≤ 300	300 < L ≤ 1000	1000 < L ≤ 3000
F	CLASS	CHAMFER TOLERANCE							CLASS	NOMINAL LENGTH ON SHORTER SIDE			
		L < 0.2	0.2 ≤ L ≤ 0.5	0.5 < L ≤ 3	3 < L ≤ 6	6 < L ≤ 30	30 < L ≤ 100	100 < L ≤ 300		L ≤ 100	100 < L ≤ 300	300 < L ≤ 1000	1000 < L ≤ 3000



FOCAL LENGTH / 焦点距離 : 16mm  
 MAX APERTURE RATIO / 最大口径比 : 1 : 4.0

FINISH	BLACK ANODIZING	UNIT:mm	 Vision Creating Value
	SURFACE		
MATERIAL	ALLUMINUM ALLOY	PART NAME	ML-MC1640BR-16C-G
	CHAMFER		OUTLINE DRAWING
TOLERANCE CLASS		DRAWING NO.	A24375A0100101A-001
	SCALE		1:1
			1/1

MARK	COM-REV	DATE(YMD)	CHANGE	SIGNATURE
△	A-001	2022.May.20	NEW	
DESIGNED	DRAWN	CHECKED	APPROVED	
KEVIN	KEVIN	 22.05.30 青木		