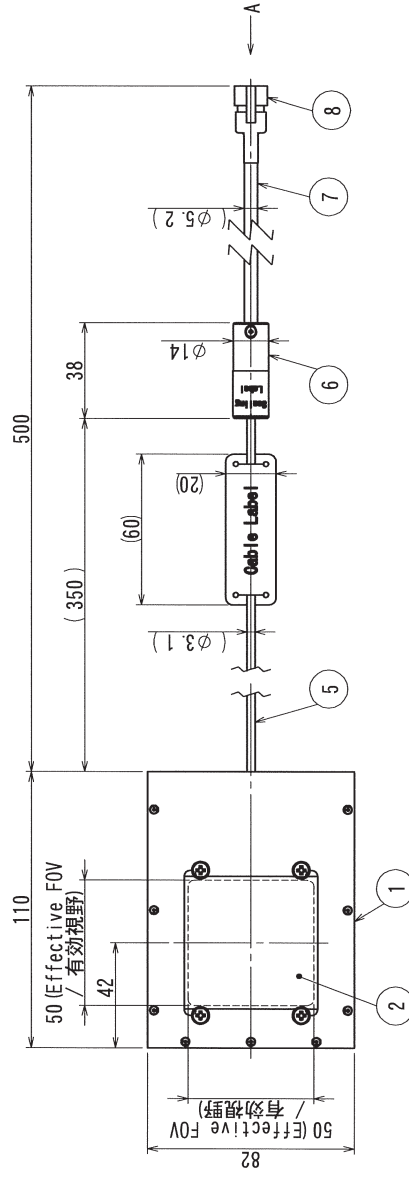


RoHS Compliance

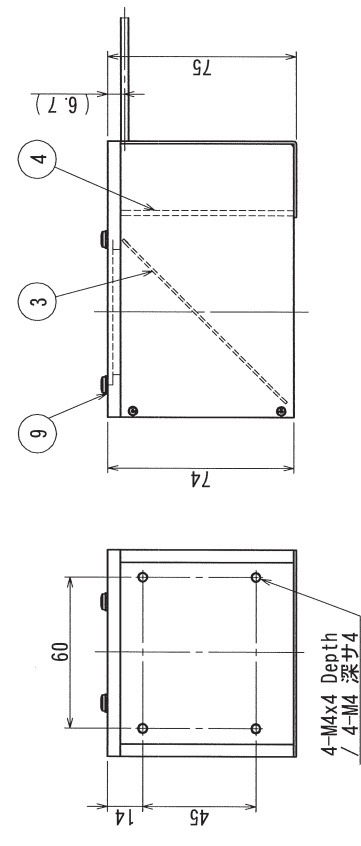
Notes:
 CSK = Countersink / 皿ザグリ
 OD = Outside Diameter / 外径
 CBORE = Counterbore / 深ザグリ
 PCD = Pitch Circle Diameter / ピッチ円直径
 FOV = Field Of View / 視野

Absolute Max. Rating / 最大定格	1.11 A
Total Power / 消費電力合計	13 W
Mass / 質量	520 g

CNI	Assign / 番号
1	+V
2	+S
3	-S
4	-V



View A / 矢視A
(1:1)



CLASS OF MEASURE	
LENGTH TOL.	ANGLE TOL.
400 < L	±10°
50 < L ≤ 400	±20°
5 < L ≤ 50	±30°
L < 5	±10°

CLASS OF MEASURE	
TOL. A	TOL. B
±0.3	±0.2
±0.15	±0.1
±0.1	±0.05
±0.05	±0.02
±0.3	±0.2
±0.15	±0.1
±0.1	±0.05
±0.05	±0.02

NO.	PART DESCRIPTION	MODEL NUMBER	QTY.	NOTE
10	LED (Blue)			
9	Washer		4	Nylon
8	Connector	SNR-04V-B	1	JST / Paired Connector: SNR-04V-BC Contact: SHF-001T-0.8BS
7	Cable		1	
6	SENS BOX		1	Aluminium Alloy / Mat Black Anodizing
5	Cable		1	
4	Diffuser Plate		1	Acrylic
3	Half Mirror		1	Glass
2	Cover Glass		1	Glass
1	Housing		1	Aluminium Alloy / Mat Black Anodizing

FINISH		UNIT: mm
MARK	COM-REV	DATE
△ X	A-003	19/Oct/12
△ X	A-002	26/Aug/10
DESIGNED		Akimoto
DRAWN		Akimoto
CHECKED		12.11.29
APPROVED		12.11.29
SURFACE		Takakura
MATERIAL		Tazaki
CHAMFER		—
TOLERANCE		—
SCALE		1:2



MODEL NAME
MSCL-CB74-B

PART NAME
OUTLINE DRAWING / 外觀図

DRAWING NO.
A08335A0100301A-003

SHEET
1/1