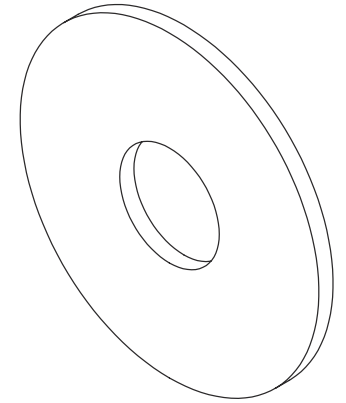
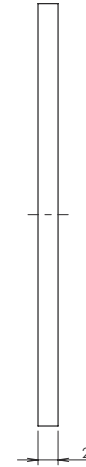
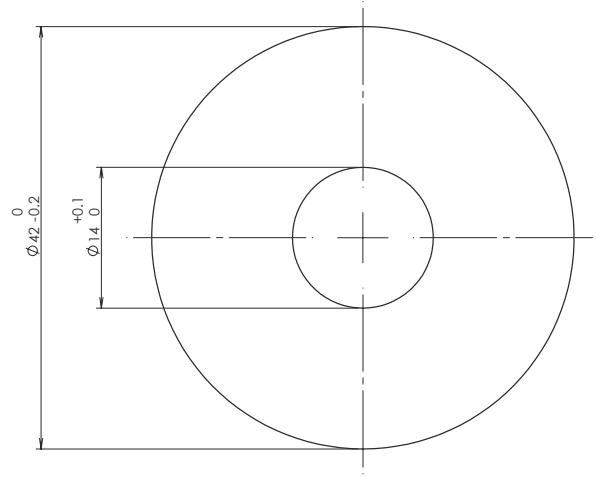


RoHS Compliance

Notes:
 CSK = Countersink
 OD = Outside Diameter
 CHAM = Chamfer
 CBORE = Counterbore
 PCD = Pitch Circle Diameter
 THRU = Through

LENGTH TOL				CLASS OF MEASURE				CLASS OF MEASURE				CLASS OF MEASURE				LENGTH TOL			
				L < 10	10 < L	50 < L	120 < L	L < 0.5	0.5 ≤ L	3 < L	6 < L	L < 0.5	0.5 ≤ L	3 < L	6 < L				
				± 0.1	± 0.1	± 0.1	± 0.1	± 0.1	± 0.1	± 0.1	± 0.1	± 0.1	± 0.1	± 0.1	± 0.1				
				± 0.1	± 0.1	± 0.1	± 0.1	± 0.1	± 0.1	± 0.1	± 0.1	± 0.1	± 0.1	± 0.1	± 0.1				



NO.	PART DESCRIPTION	MODEL NUMBER	QU.	NOTE
6				
5				
4				
3				
2	bag70x50x0.04胶袋		1	
1	扩散板/DIFFUSER RING		1	

MARK	COM-REV	DATE	CHANGE	SIGNATURE	FINISH	UNIT : mm	 Moritex Grouping Value
					SURFACE 3.2	MODEL NAME	
0	001	2018/3/20	NEW		MATERIAL	CV-DF-R-42X18-65	
DESIGNED	DRAWN	CHECKED	APPROVED		CHAMFER	PART NAME	
Xianghui Liu	Xianghui Liu	Yong Peng			TOLERANCE	OUTLINE DRAWING/外观图	
					SCALE	DRAWING NO.	
					2:1	A21780A0100601A-001	SHT
							1/1