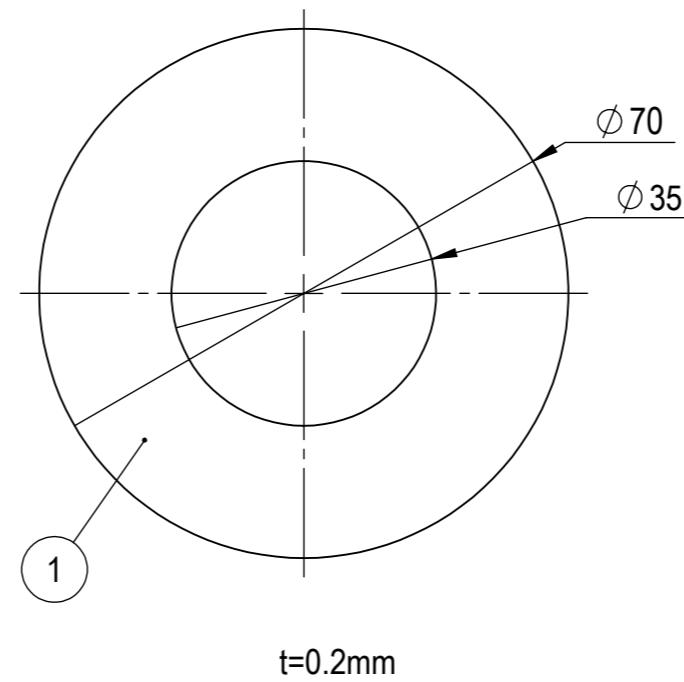


RoHS  
Compliance



LENGTH OF SHORT ONE ON THE BANK			
$L \leq 10$	$10 < L \leq 50$	$50 < L \leq 120$	$120 < L \leq 400$
$\pm 1^\circ$	$\pm 30'$	$\pm 20'$	$\pm 10'$
TOL. A		TOL. B	

ANGLE TOL.

ORIGINAL SIZE-A-3

CLASS OF MEASURE			
$L < 0.5$	$0.5 \leq L \leq 3$	$3 < L \leq 6$	$6 < L$
IN DRW.	$\pm 0.2$	$\pm 0.5$	$\pm 1.0$
TOL. A		TOL. B	

CHAMFER TOL.

CLASS OF MEASURE			
$0.5 < L \leq 6$	$6 < L \leq 30$	$30 < L \leq 120$	$120 < L \leq 400$
$\pm 0.05$	$\pm 0.1$	$\pm 0.15$	$\pm 0.2$
TOL. A		TOL. B	

LENGTH TOL.

DESIGNED	DRAWN	CHECKED	APPROVED	FINISH	UNIT : mm
Jacky Wang	Jacky Wang	Yong Peng	Jonathan Li	-	
MARK	REV	DATE	CHANGE	SIGNATURE	MATERIAL
	A00	20140215	NEW	JK	
SURFACE ROUGHNESS					MODEL NAME
					CV-PL-R-70X35-90
CHAMFER					PART NAME
					OUTLINE DRAWING
TOLERANCE					DRAWING NO.
					REV
SCALE 1:1					A00
					SHT
					1/1

MORITEX SCHOTT	
MODEL NAME	
CV-PL-R-70X35-90	
PART NAME	
OUTLINE DRAWING	
DRAWING NO.	REV
	A00
SHT	1/1

NO	PART DESCRIPTION	MODEL NUMBER	QTY	NOTE
1	Polarizer Plate			