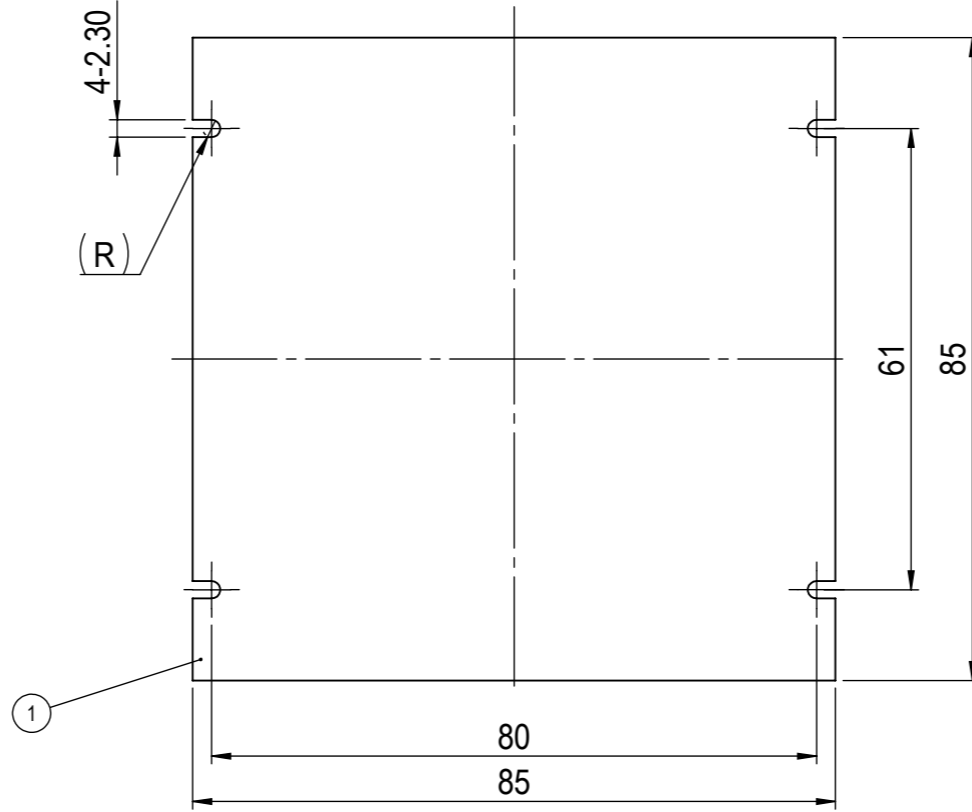


RoHS
Compliance



Louver Direction t=0.6mm

LENGTH OF SHORT ONE ON THE BANK			
L ≤ 10	10 < L ≤ 50	50 < L ≤ 120	120 < L ≤ 400
±1°	±30'	±20'	±10'
TOL. A	TOL. B		

ANGLE TOL.

ORIGINAL SIZE-A-3

CLASS OF MEASURE		
L < 0.5	0.5 ≤ L ≤ 3	3 < L ≤ 6
±0.2	±0.5	±1.0
TOL. A	TOL. B	

CHAMFER TOL.

CLASS OF MEASURE		
6 < L ≤ 30	30 < L ≤ 120	120 < L ≤ 400
±0.1	±0.15	±0.2
TOL. A	TOL. B	

CLASS OF MEASURE		
0.5 < L ≤ 6	6 < L ≤ 30	30 < L ≤ 120
±0.05	±0.1	±0.15
TOL. A	TOL. B	

LENGTH TOL.

NO	PART DESCRIPTION	MODEL NUMBER	QTY	NOTE
2	Pan Head Screw			
1	Light Control Plate			

DESIGNED	DRAWN	CHECKED	APPROVED	FINISH	UNIT : mm	
Jacky Wang	Jacky Wang	Yong Peng	Jonathan Li			
MARK	REV	DATE	CHANGE	SIGNATURE	MODEL NAME	
00	A00	20140215	NEW	JK	CV-LC-FL-83X75	
MATERIAL					PART NAME	
CHAMFER					OUTLINE DRAWING	
TOLERANCE					DRAWING NO.	REV
SCALE 1:1						A00
					SHT	1/1