

RoHS  
Compliance

LENGTH OF SHORT ONE ON THE BANK	$L \leq 10$	$\pm 1^\circ$	TOL. A TOL. B
	$10 < L \leq 50$	$\pm 30'$	
	$50 < L \leq 120$	$\pm 20'$	400 < L $\pm 5'$
	$120 < L \leq 400$	$\pm 10'$	

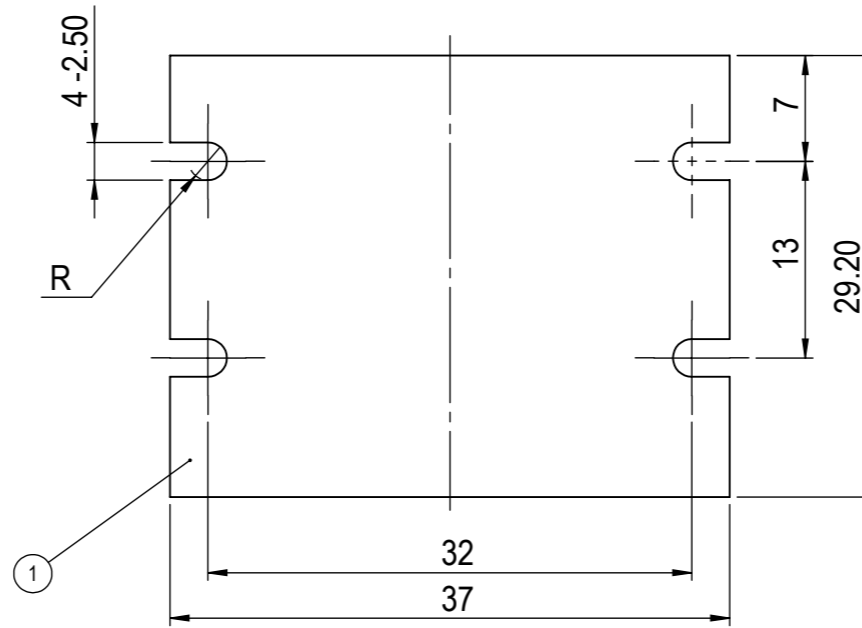
ANGLE TOL.

CLASS OF MEASURE	$L < 0.5$	IN DRW.	$\pm 0.2$	$\pm 1.0$
	$0.5 \leq L \leq 3$		$\pm 0.5$	
	$3 < L \leq 6$		$\pm 0.5$	
	$6 < L$		$\pm 1.0$	

CHAMFER TOL.

CLASS OF MEASURE	$0.5 < L \leq 6$	$\pm 0.05$	$\pm 0.1$
	$6 < L \leq 30$	$\pm 0.1$	$\pm 0.2$
	$30 < L \leq 120$	$\pm 0.15$	$\pm 0.3$
	$120 < L \leq 400$	$\pm 0.2$	$\pm 0.5$
	$400 < L \leq 1000$	$\pm 0.3$	$\pm 0.8$

LENGTH TOL.



Louver Direction  $t=0.6mm$

NO	PART DESCRIPTION	MODEL NUMBER	QTY	NOTE
2	Pan Head Screw			
1	Light Control Plate			

DESIGNED	DRAWN	CHECKED	APPROVED
Jacky Wang	Jacky Wang	Yong Peng	Jonathan Li

FINISH	UNIT : mm	
SURFACE ROUGHNESS	MODEL NAME	
MATERIAL	CV-LC-FL-27X27	
CHAMFER	PART NAME	
TOLERANCE	OUTLINE DRAWING	
SCALE	DRAWING NO.	REV
2:1		A00
	SHT	1/1