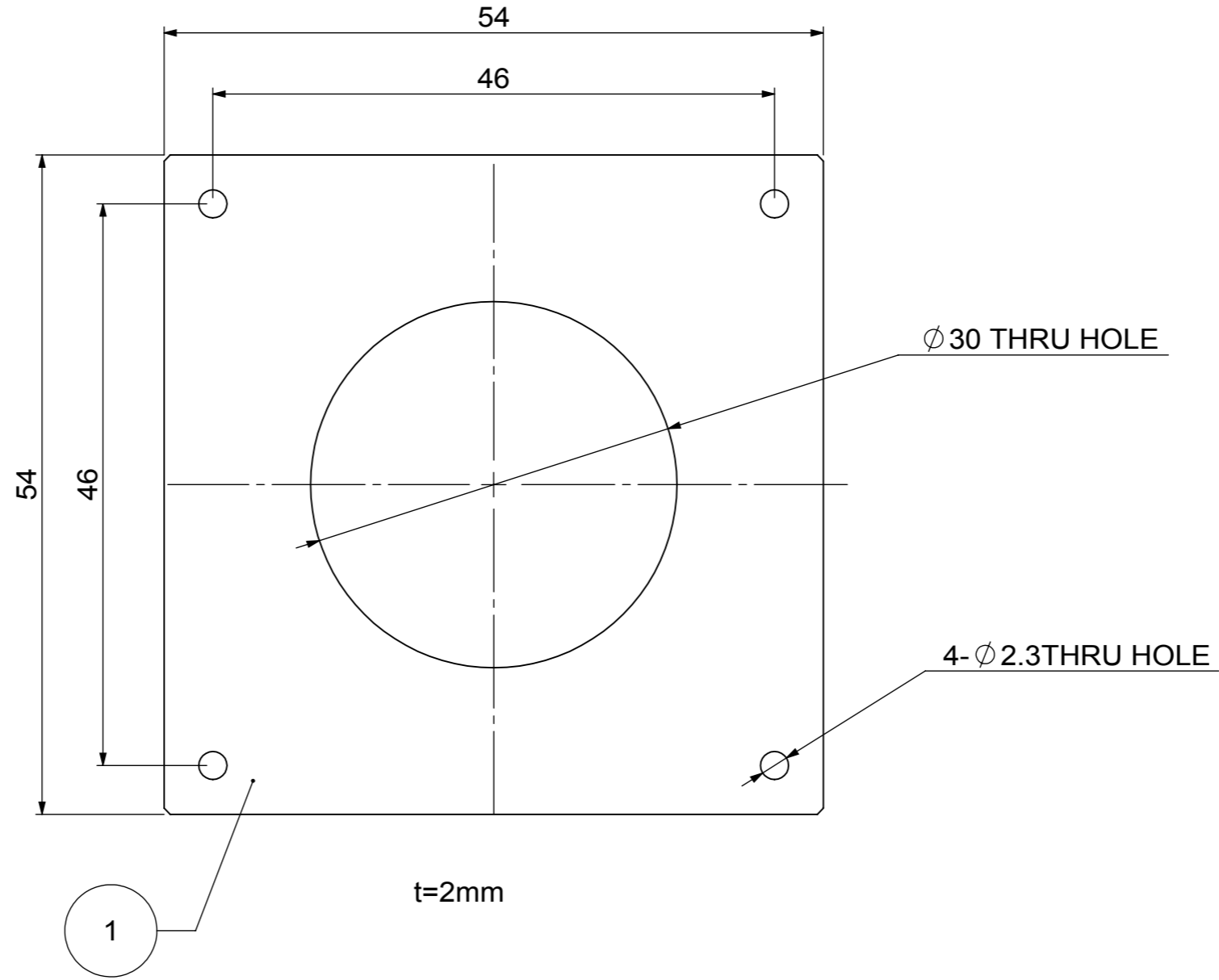


**RoHS
Compliance**



LENGTH OF SHORT ONE ON THE BANK		10 < L ≤ 50	±30'	50 < L ≤ 120	±20'	120 < L ≤ 400	±10'	400 < L	±5'
L ≤ 10		±1°							
TOL. A		TOL. B							
ANGLE TOL.									
CLASS OF MEASURE									
L < 0.5		IN DRW.		±0.2		±0.5		±1.0	
0.5 ≤ L ≤ 3									
3 < L ≤ 6									
6 < L									
TOL. A		TOL. B							
CHAMFER TOL.									
CLASS OF MEASURE									
0.5 < L ≤ 6		±0.05		±0.1		±0.2		±0.3	
6 < L ≤ 30									
30 < L ≤ 120									
120 < L ≤ 400									
400 < L									
TOL. A		TOL. B							
CLASS OF MEASURE									
L < 0.5		IN DRW.		±0.2		±0.5		±1.0	
0.5 ≤ L ≤ 3									
3 < L ≤ 6									
6 < L									
TOL. A		TOL. B							

ORIGINAL SIZE-A-3

CLASS OF MEASURE		0.5 < L ≤ 6	±0.05	±0.1	±0.2	±0.3	±0.5	±0.8
CLASS OF MEASURE		6 < L ≤ 30	±0.1	±0.2	±0.3	±0.5	±0.8	
CLASS OF MEASURE		30 < L ≤ 120	±0.15	±0.3	±0.5	±0.8		
CLASS OF MEASURE		120 < L ≤ 400	±0.2	±0.5	±0.8			
CLASS OF MEASURE		400 < L	±0.3	±0.5	±0.8			
TOL. A		TOL. B						

NO	PART DESCRIPTION	MODEL NUMBER	QTY	NOTE
2	Pan Head Screw			
1	Diffuser Plate			

DESIGNED	DRAWN	CHECKED	APPROVED	FINISH	UNIT : mm	MORITEX SCHOTT	
Jacky Wang	Jacky Wang	Yong Peng	Jonathan Li				
MARK	REV	DATE	CHANGE	SIGNATURE	SURFACE ROUGHNESS	MODEL NAME	
0	A00	20140215	NEW	JK		CV-DF-SQ-56X56X30	
					MATERIAL	PART NAME	
					CHAMFER	OUTLINE DRAWING	
					TOLERANCE	DRAWING NO.	REV
					SCALE		A00
							SHT
							1/1