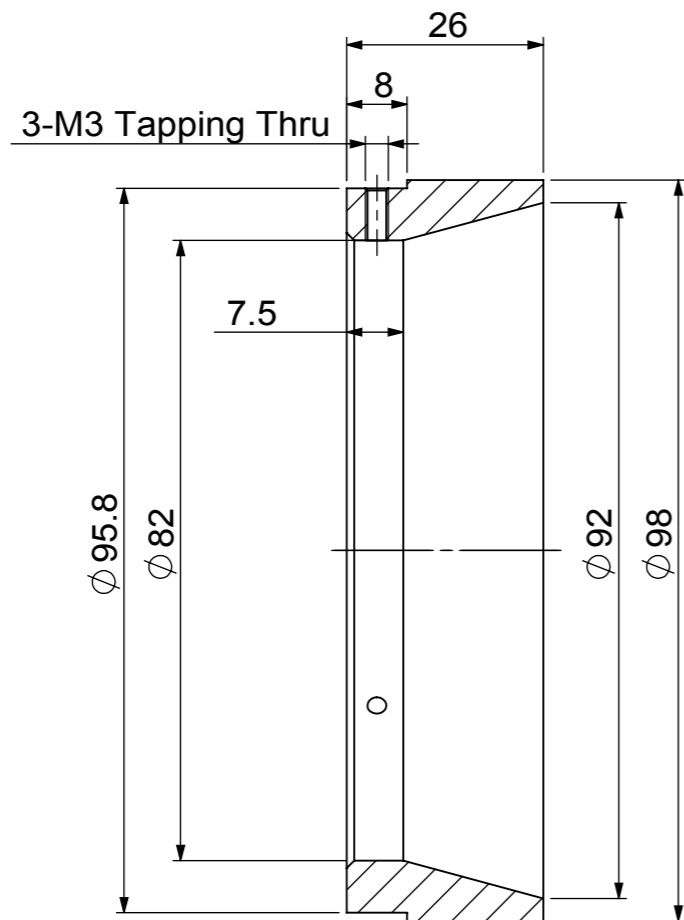
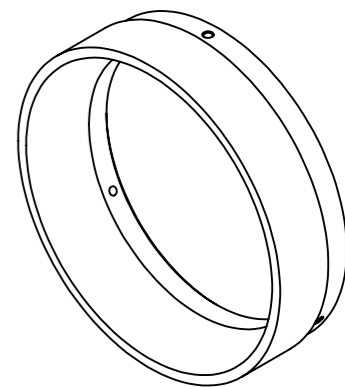
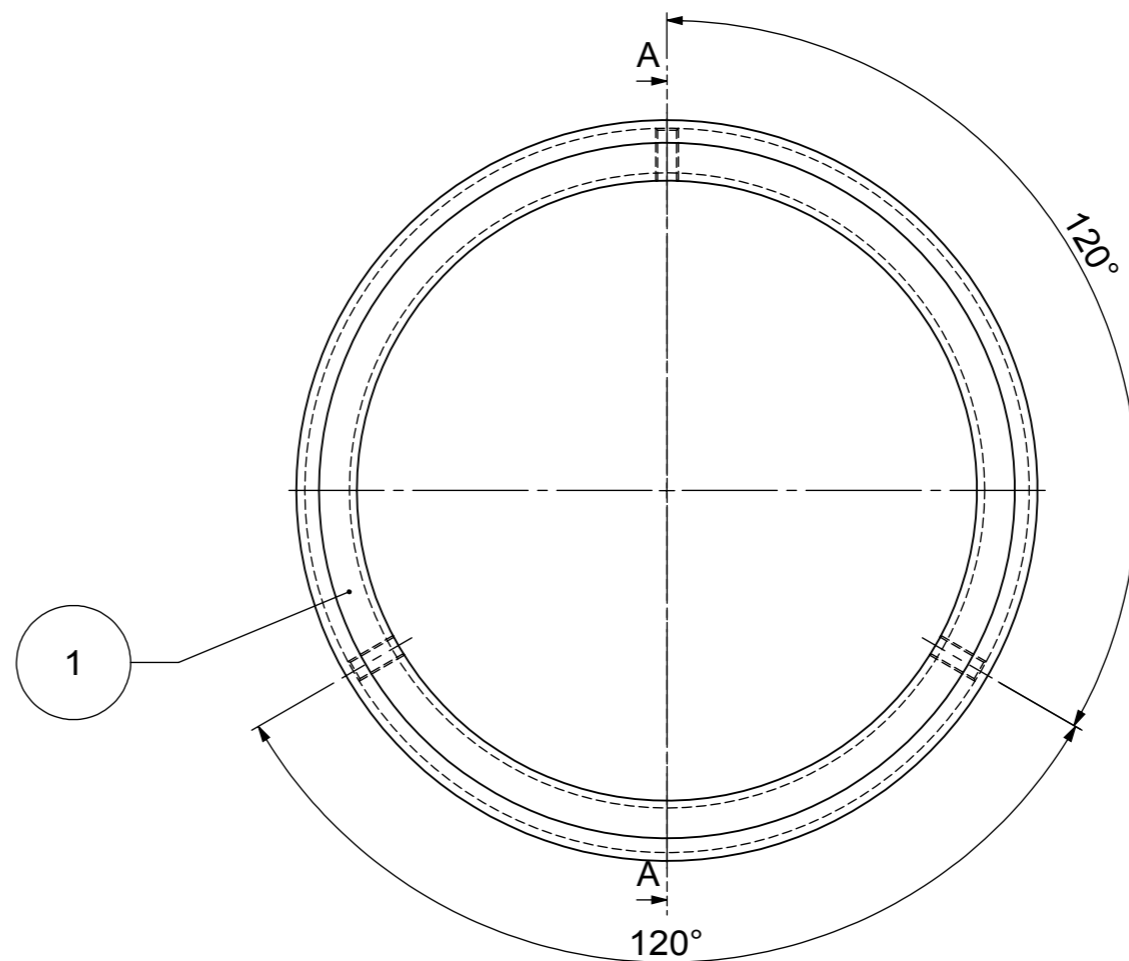


**RoHS  
Compliance**



SECTION A-A



LENGTH OF SHORT ONE ON THE BANK		120 < L < 400	±10°
L ≤ 10		±1°	
10 < L ≤ 50		±30'	
50 < L ≤ 120		±20'	
120 < L ≤ 400		±10'	
400 < L		±5'	
TOL. A		TOL. B	

ANGLE TOL.

CLASS OF MEASURE		3 < L ≤ 6	±1.0
L < 0.5		±0.2	
0.5 < L ≤ 3		±0.5	
3 < L ≤ 6		±1.0	
6 < L		±1.0	
TOL. A		TOL. B	

CLASS OF MEASURE		0.5 < L ≤ 3	±0.2
L < 0.5		±0.5	
0.5 < L ≤ 3		±0.5	
3 < L ≤ 6		±1.0	
6 < L		±1.0	
TOL. A		TOL. B	

CHAMFER TOL.

CLASS OF MEASURE		120 < L ≤ 400	±0.3
L < 30		±0.2	
30 < L ≤ 120		±0.3	
120 < L ≤ 400		±0.5	
400 < L		±0.8	
TOL. A		TOL. B	

CLASS OF MEASURE		6 < L ≤ 30	±0.2
L < 6		±0.1	
6 < L ≤ 30		±0.2	
30 < L ≤ 120		±0.3	
120 < L ≤ 400		±0.5	
400 < L		±0.8	
TOL. A		TOL. B	

LENGTH TOL.

NO	PART DESCRIPTION	MODEL NUMBER	QTY	NOTE
3	Hexagon Wrench			
2	Hexagon Socket Set Screw			
1	Diffuser Ring			

DESIGNED	DRAWN	CHECKED	APPROVED
Jacky Wang	Jacky Wang	Yong Peng	Jonathan Li

FINISH	UNIT : mm	
SURFACE ROUGHNESS	MODEL NAME	
MATERIAL	CV-DF-RLA-132X96-15	
CHAMFER	PART NAME	
TOLERANCE	OUTLINE DRAWING	
SCALE 1:1	DRAWING NO.	REV A00
		SHT 1/1