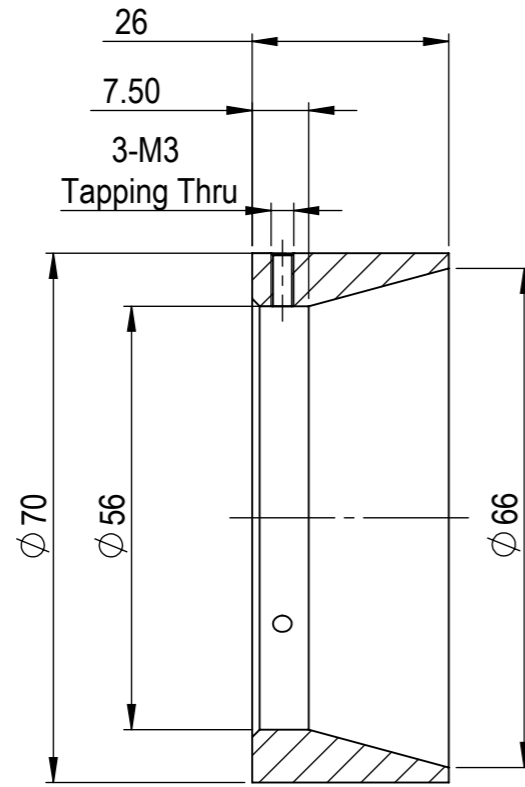
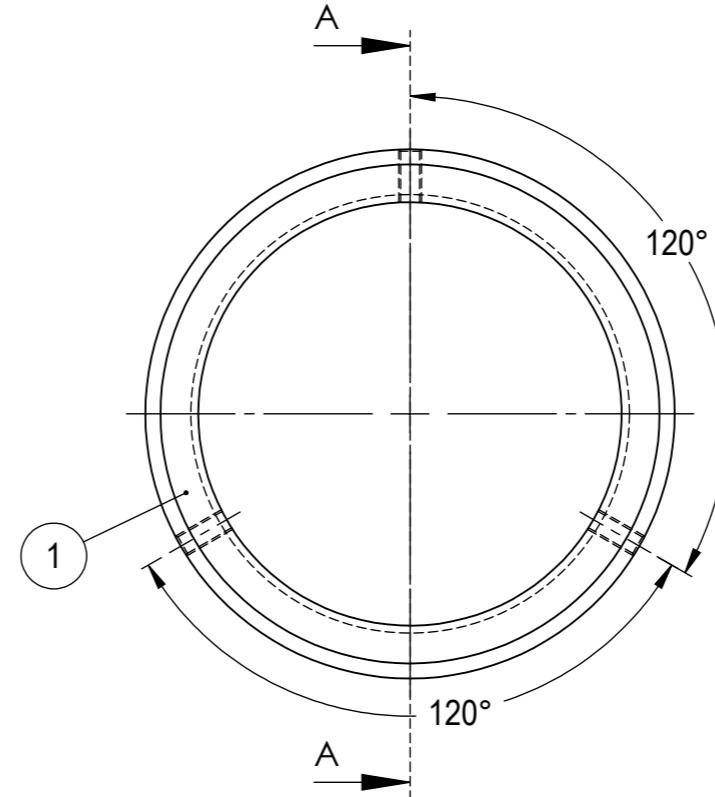


RoHS  
Compliance



SECTION A-A



LENGTH OF SHORT ONE ON THE BANK	$L \leq 10$	$\pm 1^\circ$	TOL. A	TOL. B
	$10 < L \leq 50$	$\pm 30'$	$\pm 20'$	$\pm 10'$
	$50 < L \leq 120$	$\pm 20'$	$\pm 10'$	$\pm 5'$
	$120 < L \leq 400$	$\pm 10'$	$\pm 5'$	$\pm 5'$
ANGLE TOL.	$L < 10$	$\pm 1^\circ$	TOL. A	TOL. B
	$L \geq 10$	$\pm 1^\circ$	TOL. A	TOL. B

CLASS OF MEASURE	$L < 0.5$	IN DRW.	$\pm 0.2$	$\pm 1.0$
	$0.5 \leq L \leq 3$		$\pm 0.5$	$\pm 1.0$
	$3 < L \leq 6$		$\pm 1.0$	$\pm 1.0$
	$6 < L$		$\pm 1.0$	$\pm 1.0$

CHAMFER TOL.	TOL. A	TOL. B
	TOL. A	TOL. B

CLASS OF MEASURE	$6 < L \leq 30$	$\pm 0.1$	$\pm 0.2$	$\pm 0.3$	$\pm 0.5$	$\pm 0.8$
	$30 < L \leq 120$	$\pm 0.15$	$\pm 0.3$	$\pm 0.5$	$\pm 0.8$	$\pm 1.0$
	$120 < L \leq 400$	$\pm 0.2$	$\pm 0.5$	$\pm 0.8$	$\pm 1.0$	$\pm 1.5$
	$400 < L$	$\pm 0.3$	$\pm 0.8$	$\pm 1.0$	$\pm 1.5$	$\pm 2.0$

NO	PART DESCRIPTION	MODEL NUMBER	QTY	NOTE
3	Hexagon Wrench			
2	Hexagon Socket Set Screw			
1	Diffuser Ring			

DESIGNED	DRAWN	CHECKED	APPROVED	FINISH	UNIT : mm	
Jacky Wang	Jacky Wang	Yong Peng	Jonathan Li			
MARK	REV	DATE	CHANGE	SIGNATURE	MODEL NAME	
0	A00	20140215	NEW	JK	CV-DF-RLA-100X70-30	
MATERIAL					PART NAME	
CHAMFER					OUTLINE DRAWING	
TOLERANCE					DRAWING NO.	REV
SCALE 1:1						A00
					SHT	1/1