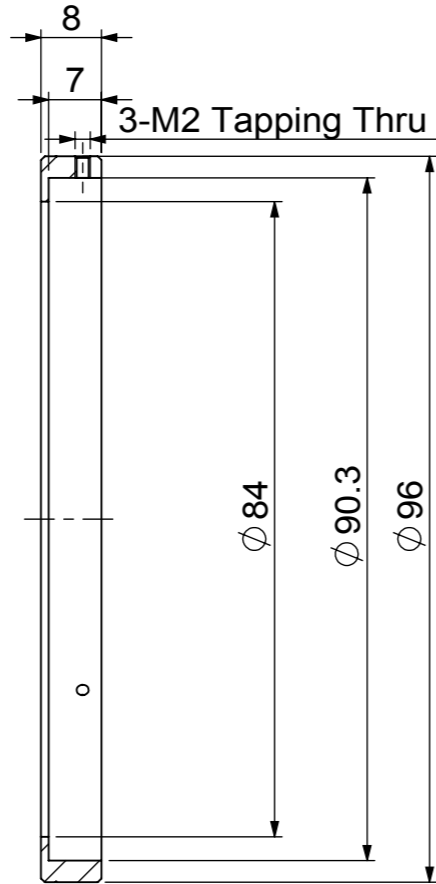
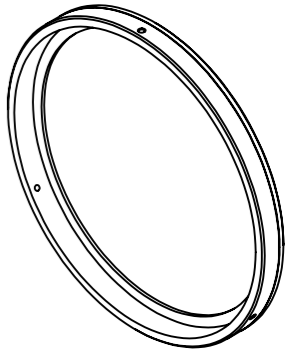
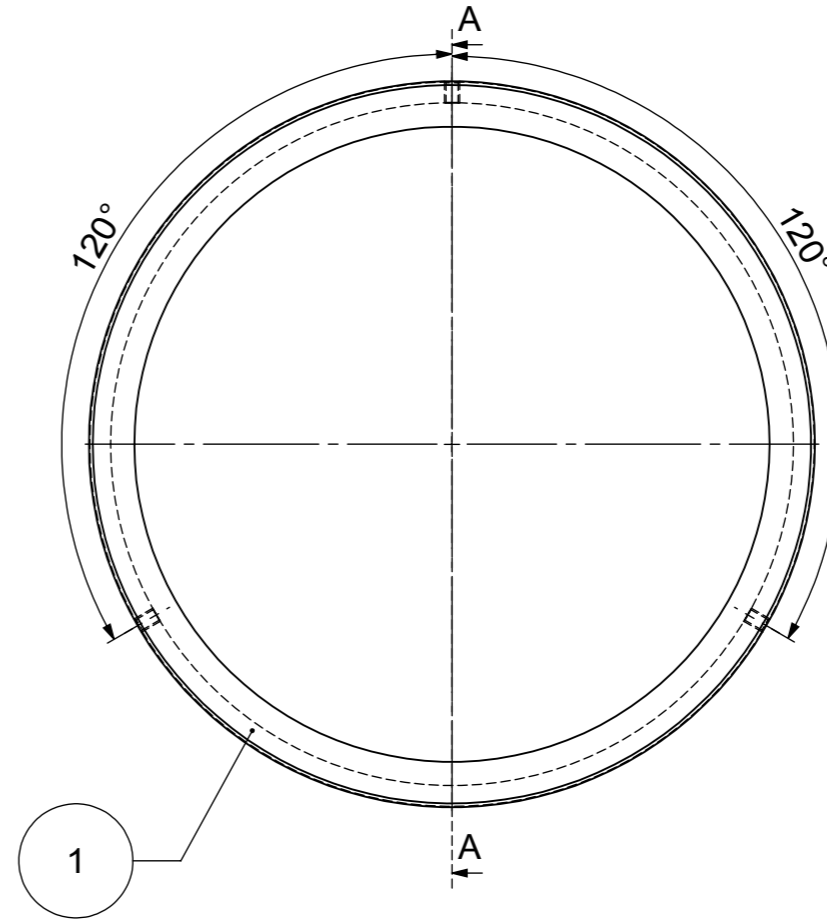


**RoHS
Compliance**



SECTION A-A



LENGTH OF SHORT ONE ON THE BANK	L ≤ 10	±1°	TOL. A	TOL. B
	10 < L ≤ 50	±30'	±20'	±10'
	50 < L ≤ 120			
	120 < L ≤ 400			
400 < L				

ANGLE TOL.	
ORIGINAL SIZE-A-3	

CLASS OF MEASURE	L < 0.5	IN DRW.	±0.2	±0.5	±1.0
	0.5 ≤ L ≤ 3				
	3 < L ≤ 6				
	6 < L				
CHAMFER TOL.	TOL. A	TOL. B			

CLASS OF MEASURE	6 < L ≤ 30	±0.1	±0.2	
	30 < L ≤ 120	±0.15	±0.3	±0.5
	120 < L ≤ 400			
	400 < L			
0.5 < L ≤ 6	±0.05	±0.1		
TOL. A	TOL. B			
LENGTH TOL.				

NO	PART DESCRIPTION	MODEL NUMBER	QTY	NOTE
3	Hexagon Wrench			
2	Hexagon Socket Set Screw			
1	Adapter Ring			

DESIGNED	DRAWN	CHECKED	APPROVED	FINISH	UNIT : mm	
Jacky Wang	Jacky Wang	Yong Peng	Jonathan Li			
MARK	REV	DATE	CHANGE	SIGNATURE	MODEL NAME	
0	A00	20140215	NEW	JK	CV-AD-R-90X50-70	
MATERIAL					PART NAME	
CHAMFER					OUTLINE DRAWING	
TOLERANCE					DRAWING NO.	REV
SCALE 1:1						A00
					SHT	1/1