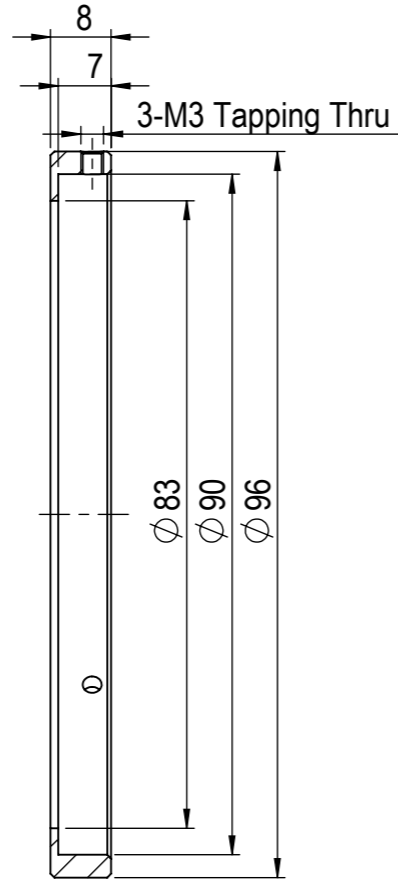
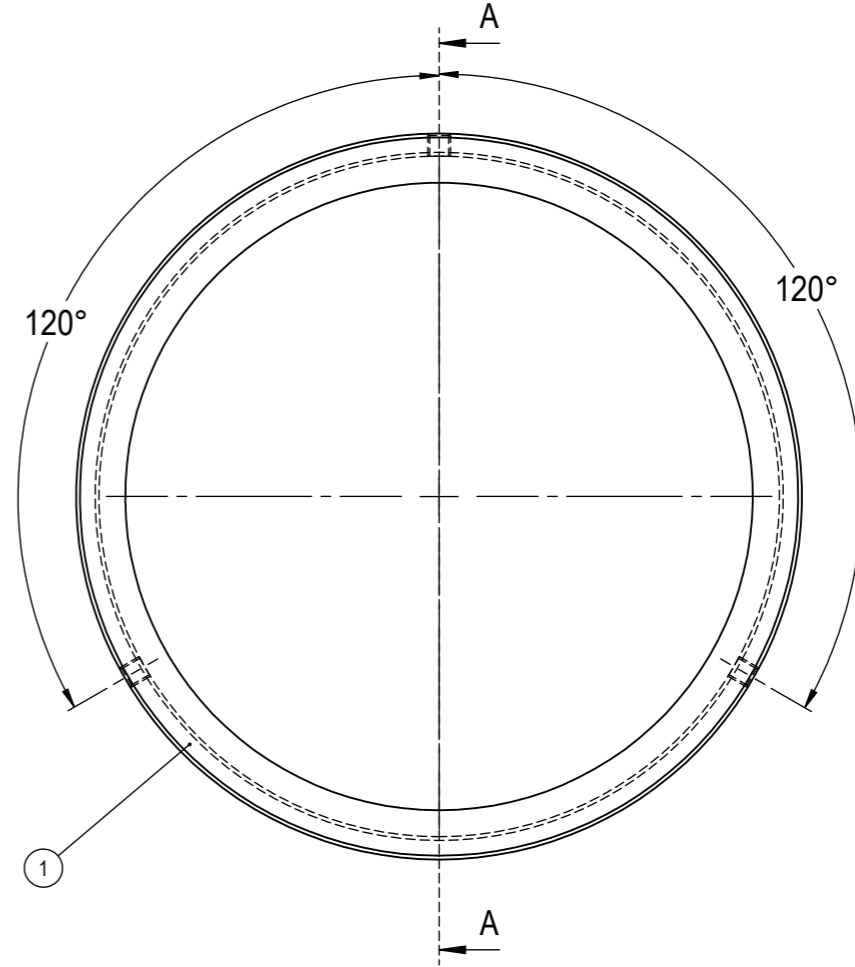


RoHS
Compliance



SECTION A-A



LENGTH OF SHORT ONE ON THE BANK	120 < L < 400	±10'
	50 < L < 120	±20'
	10 < L < 50	±30'
	L ≤ 10	±1°
TOL. A	TOL. B	

ANGLE TOL.

ORIGINAL SIZE-A-3

CLASS OF MEASURE	3 < L < 6	±1.0
	0.5 < L < 3	±0.5
	L < 0.5	±0.2
	IN DRW.	±1.0
TOL. A	TOL. B	

CHAMFER TOL.

CLASS OF MEASURE	120 < L < 400	±0.3
	30 < L < 120	±0.15
	6 < L < 30	±0.1
	0.5 < L < 6	±0.05
TOL. A	TOL. B	

LENGTH TOL.

NO	PART DESCRIPTION	MODEL NUMBER	QTY	NOTE
3	Hexagon Wrench			
2	Hexagon Socket Set Screw			
1	Adapter Ring			

FINISH	UNIT : mm	MORITEX SCHOTT	
SURFACE ROUGHNESS	MODEL NAME	CV-AD-R-90X30-80	
MATERIAL	PART NAME	OUTLINE DRAWING	
DESIGNED	DRAWN	CHECKED	APPROVED
Jacky Wang	Jacky Wang	Yong Peng	Jonathan Li
CHAMFER	TOLERANCE	DRAWING NO.	REV
SCALE	1:1		A00
			SHT
			1/1