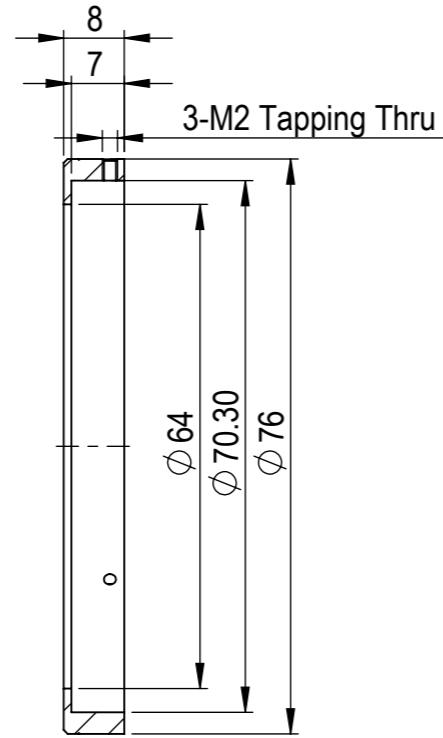
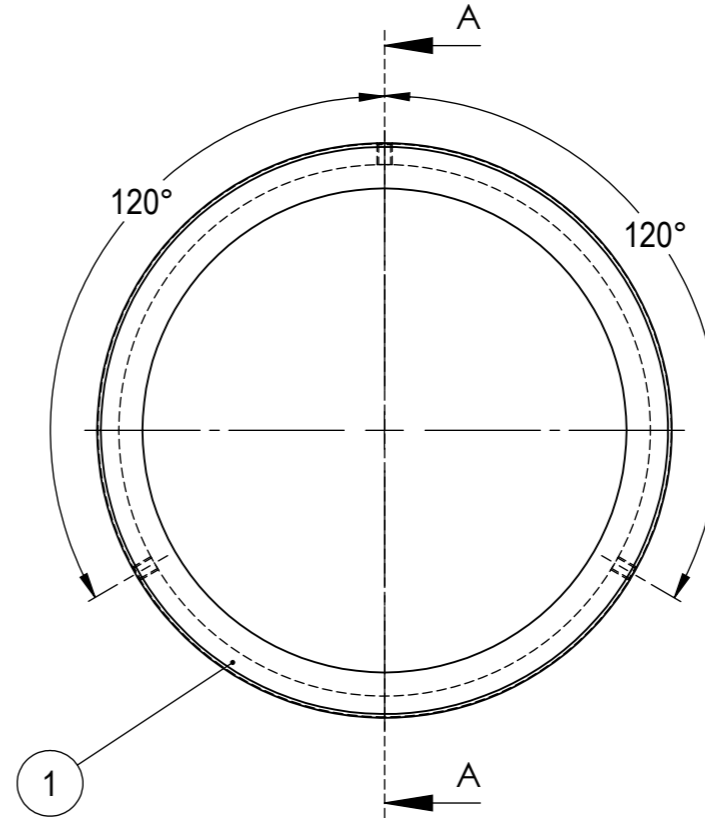


RoHS
Compliance



SECTION A-A



LENGTH OF SHORT ONE ON THE BANK			
$L \leq 10$	$10 < L \leq 50$	$50 < L \leq 120$	$120 < L \leq 400$
$\pm 1^\circ$	$\pm 30'$	$\pm 20'$	$\pm 10'$
TOL. A	TOL. B		

ANGLE TOL.

ORIGINAL SIZE A-3

CLASS OF MEASURE			
$L < 0.5$	$0.5 \leq L \leq 3$	$3 < L \leq 6$	$6 < L$
IN DRW.	± 0.2	± 0.5	± 1.0
TOL. A	TOL. B		

CHAMFER TOL.

CLASS OF MEASURE			
$6 < L \leq 30$	$30 < L \leq 120$	$120 < L \leq 400$	$400 < L \leq 1000$
± 0.1	± 0.15	± 0.2	± 0.3
± 0.05	± 0.1	± 0.2	± 0.5
TOL. A	TOL. B		

3	Hexagon Wrench			
2	Hexagon Socket Set Screw			
1	Adapter Ring			

LENGTH TOL.

DESIGNED	DRAWN	CHECKED	APPROVED	FINISH	UNIT : mm		
Jacky Wang	Jacky Wang	Yong Peng	Jonathan Li				
MARK	REV	DATE	CHANGE	SIGNATURE	MODEL NAME		
	A00	20140215	NEW	JK	CV-AD-R-70X35-90		
					PART NAME		
					OUTLINE DRAWING		
					DRAWING NO.	REV	SHT
						A00	1/1
					SCALE	1:1	