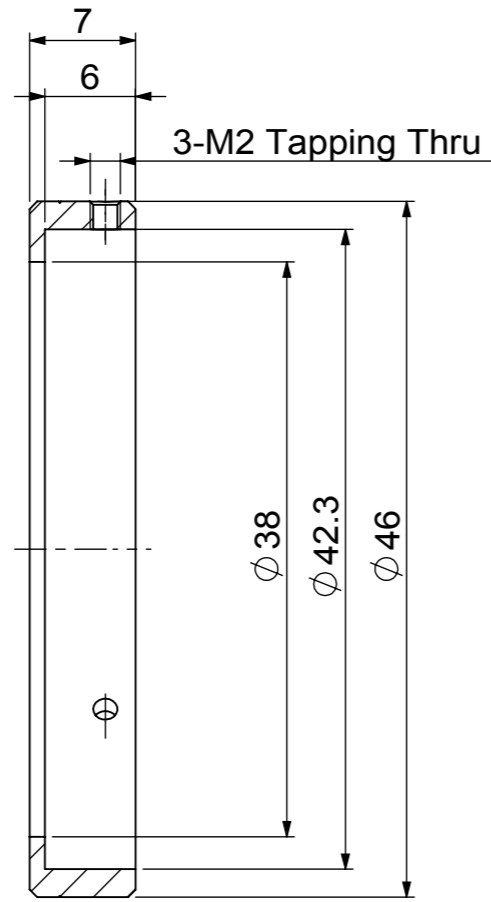
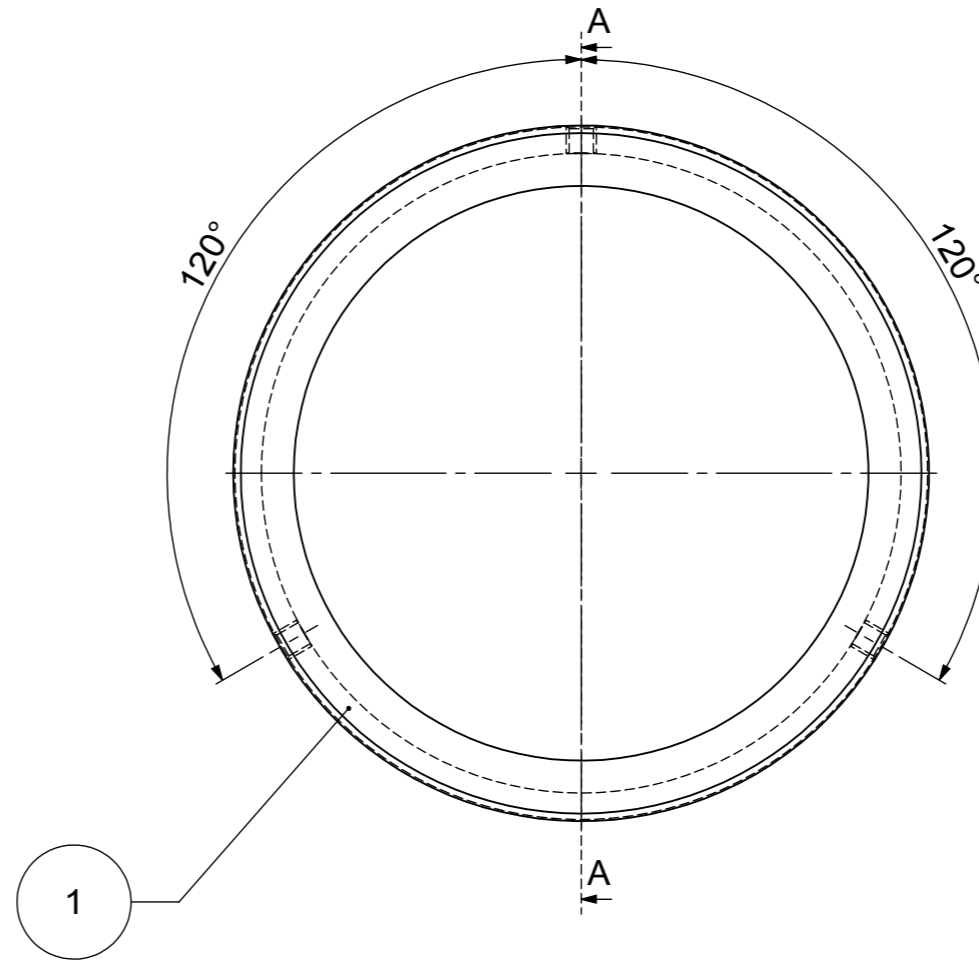


**RoHS
Compliance**



SECTION A-A



LENGTH OF SHORT ONE ON THE BANK	10 < L	±30'
	50 < L	±20'
	120 < L	±10'
	400 < L	±5'
L	≤ 10	±1°
	TOL. A	TOL. B
ANGLE TOL.		

CLASS OF MEASURE		
L < 0.5	IN DRW.	±0.2
0.5 ≤ L	≤ 3	±0.5
3 < L	≤ 6	±1.0
6 < L		±1.0
TOL. A	TOL. B	
CHAMFER TOL.		

CLASS OF MEASURE		
L < 0.5	IN DRW.	±0.2
0.5 ≤ L	≤ 3	±0.5
3 < L	≤ 6	±1.0
6 < L		±1.0
TOL. A	TOL. B	
CHAMFER TOL.		

CLASS OF MEASURE		
L < 0.5	IN DRW.	±0.2
0.5 ≤ L	≤ 3	±0.5
3 < L	≤ 6	±1.0
6 < L		±1.0
TOL. A	TOL. B	
CHAMFER TOL.		

CLASS OF MEASURE		
L < 0.5	IN DRW.	±0.2
0.5 ≤ L	≤ 3	±0.5
3 < L	≤ 6	±1.0
6 < L		±1.0
TOL. A	TOL. B	
CHAMFER TOL.		

CLASS OF MEASURE		
L < 0.5	IN DRW.	±0.2
0.5 ≤ L	≤ 3	±0.5
3 < L	≤ 6	±1.0
6 < L		±1.0
TOL. A	TOL. B	
CHAMFER TOL.		

NO	PART DESCRIPTION	MODEL NUMBER	QTY	NOTE
3	Hexagon Wrench			
2	Hexagon Socket Set Screw			
1	Adapter Ring			

DESIGNED	DRAWN	CHECKED	APPROVED
Jacky Wang	Jacky Wang	Yong Peng	Jonathan Li

FINISH	UNIT : mm	
SURFACE ROUGHNESS	MODEL NAME	
MATERIAL	CV-AD-R-42X18-65	
CHAMFER	PART NAME	
TOLERANCE	OUTLINE DRAWING	
SCALE 2:1	DRAWING NO.	REV A00
		SHT 1/1