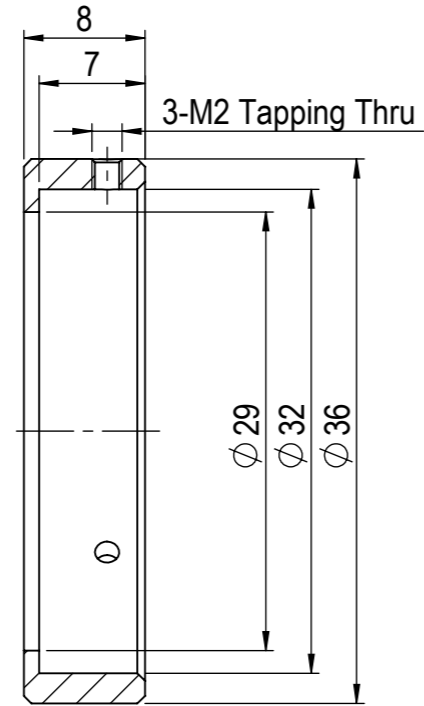
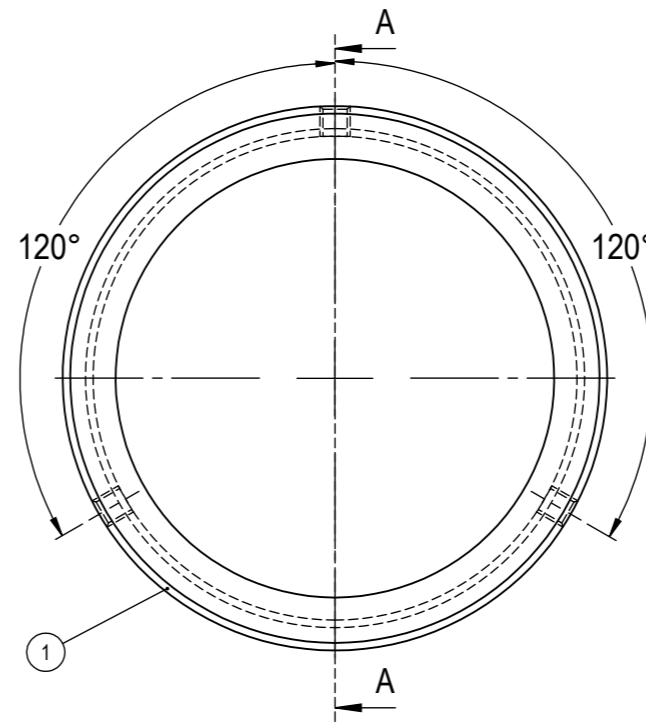


RoHS  
Compliance



SECTION A-A



LENGTH OF SHORT ONE ON THE BANK		120 < L < 400	±10'
L ≤ 10		±1°	
10 < L ≤ 50		±30'	
50 < L ≤ 120		±20'	
120 < L ≤ 400		±10'	
400 < L		±5'	
TOL. A		TOL. B	

ANGLE TOL.

CLASS OF MEASURE

CLASS OF MEASURE		3 < L ≤ 6	±1.0
L < 0.5		±0.2	
0.5 ≤ L ≤ 3		±0.5	
3 < L ≤ 6		±1.0	
6 < L		±1.0	
TOL. A		TOL. B	

CHAMFER TOL.

CLASS OF MEASURE

CLASS OF MEASURE		120 < L ≤ 400	±0.3
30 < L ≤ 120		±0.15	
6 < L ≤ 30		±0.1	
0.5 < L ≤ 6		±0.05	
TOL. A		TOL. B	

LENGTH TOL.

NO	PART DESCRIPTION	MODEL NUMBER	QTY	NOTE
3	Hexagon Wrench			
2	Hexagon Socket Set Screw			
1	Adapter Ring			

DESIGNED	DRAWN	CHECKED	APPROVED	FINISH
Jacky Wang	Jacky Wang	Yong Peng	Jonathan Li	
MARK	REV	DATE	CHANGE	SIGNATURE
	A00	20140215	NEW	JK
SURFACE ROUGHNESS				UNIT : mm
MATERIAL				MORITEX SCHOTT
CHAMFER				MODEL NAME
TOLERANCE				CV-AD-R-32X10-70
SCALE 2:1				PART NAME
				OUTLINE DRAWING
DRAWING NO.			REV	SHT
			A00	1/1