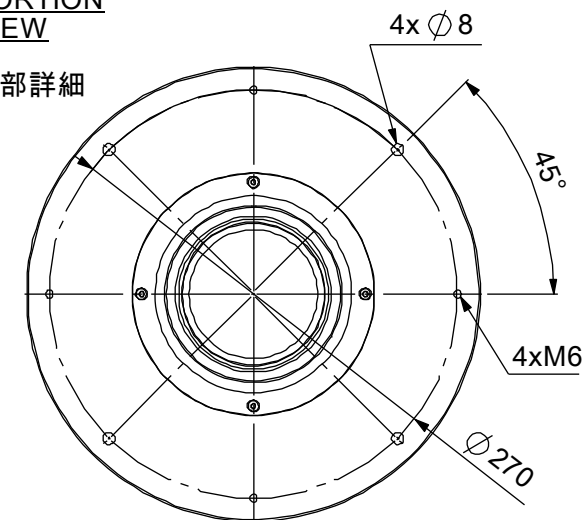
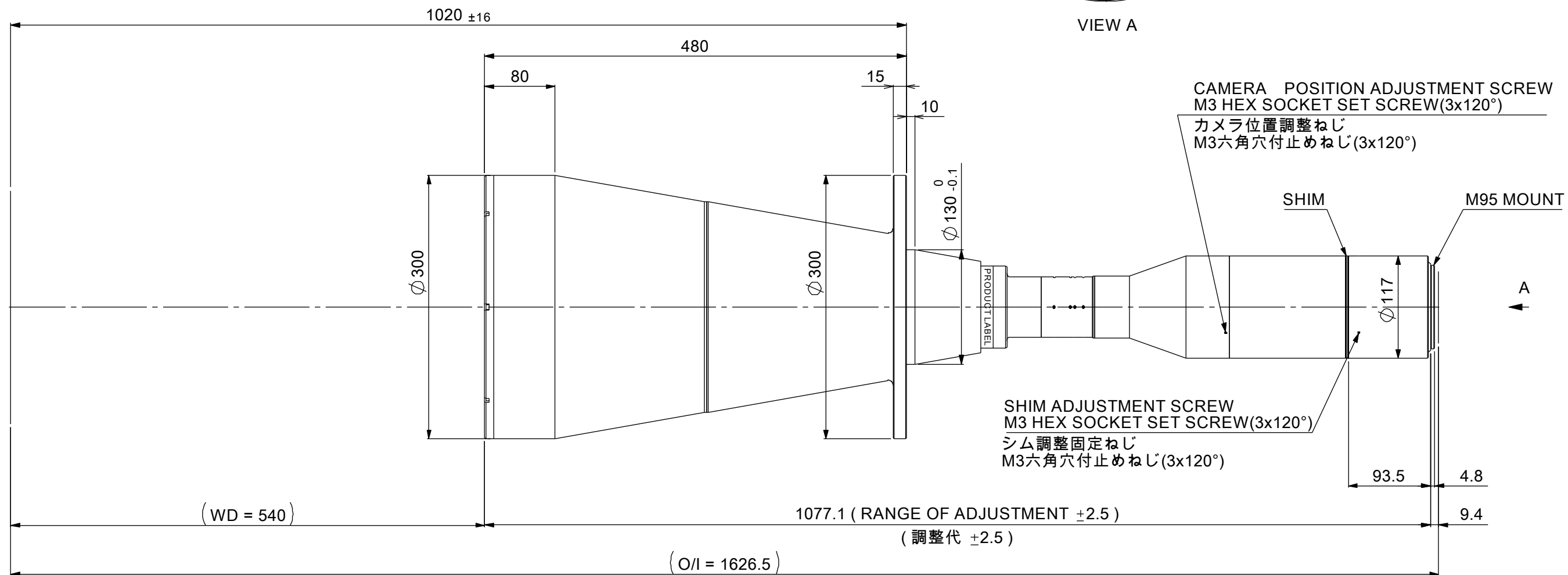


**MOUNTING PORTION
DETAIL VIEW**

フランジ取付部詳細



VIEW A



MAGNIFICATION : 0.31x
光学倍率 : 0.31x

Model Name : MTL-26582M95-031
MORITEX CORPORATION