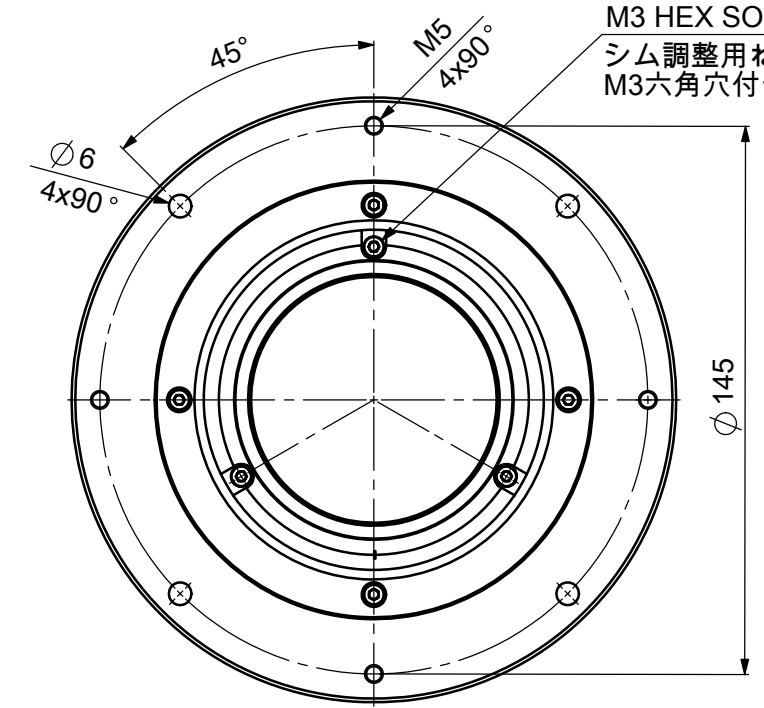
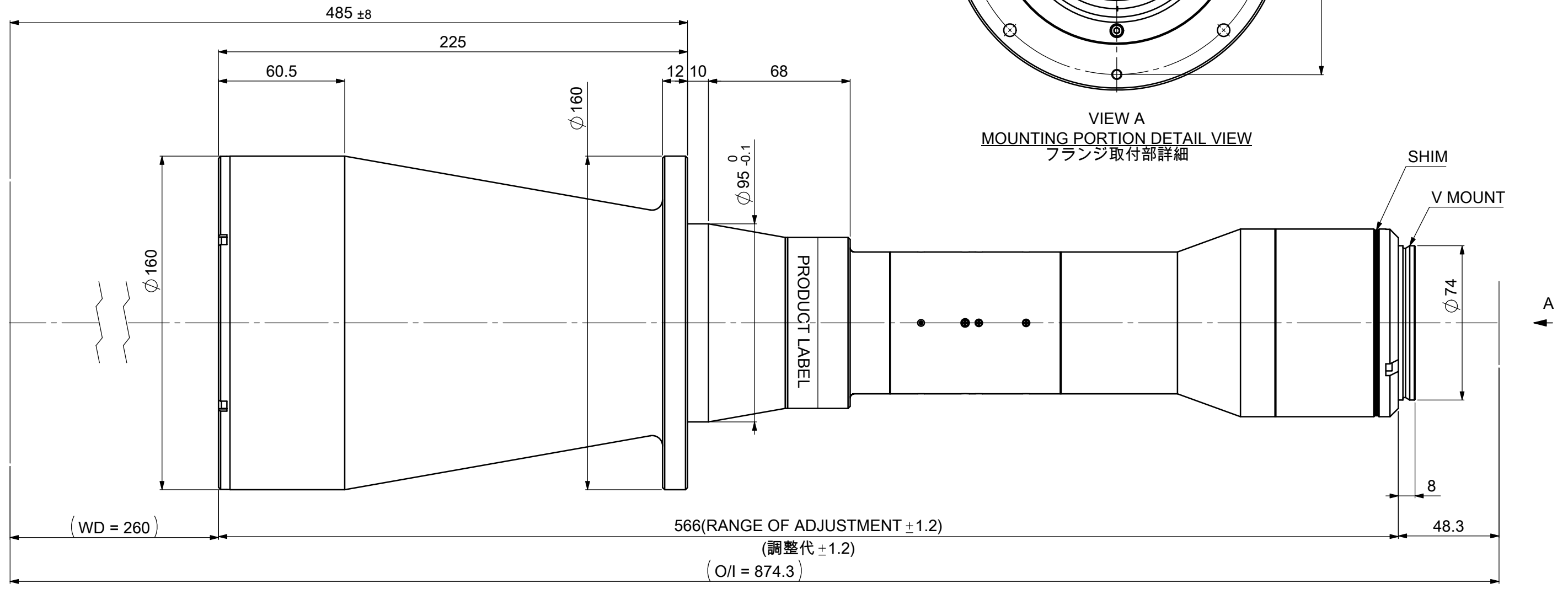


SHIM ADJUSTMENT SCREW
M3 HEX SOCKET HEAD CAP(3x120°)
シム調整用ねじ
M3六角穴付きボルト(3x120°)



VIEW A
MOUNTING PORTION DETAIL VIEW
フランジ取付部詳細



MAGNIFICATION: 0.43x
光学倍率: 0.43x

Model Name : MTL-13557V74-043
MORITEX CORPORATION